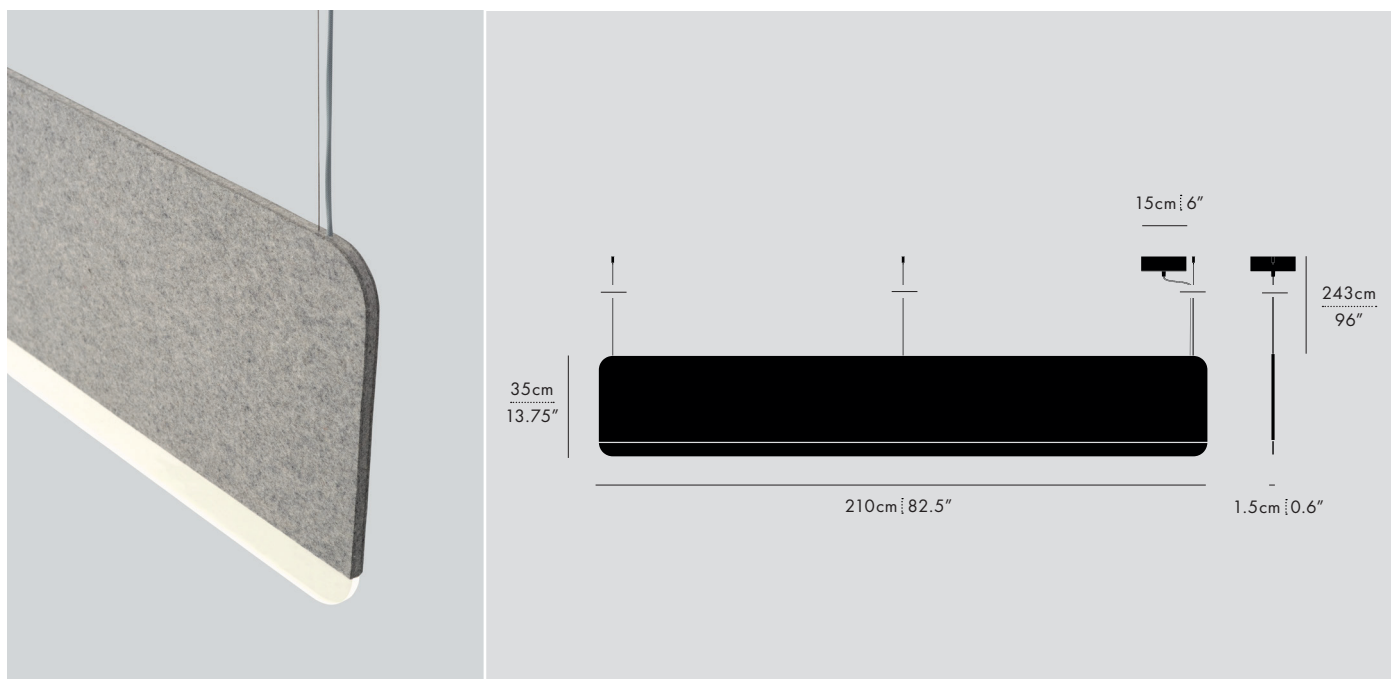


SLAB 210-P

PENDANT

MANUFACTURED IN CANADA

LUKAS PEET / 2013



SLA-210-P-GRY-30-ELV-120

DESCRIPTION

Slab's acoustic properties reduce ambient noise while its distinctive aesthetics stand out.

TYPE

Pendant

DIMENSIONS

- Luminaire: 210 x 35 x 1.5cm / 82.5" x 13.75" x 0.6"
- Adjustable drop length: 243cm / 96"

* CUSTOM LENGTH AVAILABLE

CERTIFICATIONS

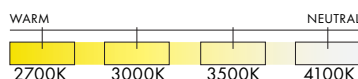


* APPLICATION: DRY INDOOR LOCATION ONLY

TECHNICAL INFORMATION

- Input Voltage: 110-120V, 220-240V, 110-277V
- Lamping: Integral 20W 12V DC LED
CRI 90+, 50,000 hours
- Lumens: 1292 lumens delivered
- Power Supply: Phase Dimming, 0-10V, DALI

COLOUR TEMPERATURE



MATERIALS

- Acrylic
- Merino Wool

FINISHES



FOR CUSTOM FINISHES, PLEASE INQUIRE.

SERIES	SIZE	TYPE	FINISH	CCT	PS	VOLTAGE IN
SLA	210	P	<input type="checkbox"/> WWH (WOOL WHITE)	<input type="checkbox"/> 27 (2700K)	<input type="checkbox"/> ELV	<input type="checkbox"/> 120
			<input type="checkbox"/> GRY (WOOL GREY)	<input type="checkbox"/> 30 (3000K)	<input type="checkbox"/> 010	<input type="checkbox"/> 230
			<input type="checkbox"/> BRN (WOOL BROWN)	<input type="checkbox"/> 35 (3500K)	<input type="checkbox"/> DAL	<input type="checkbox"/> 277
			<input type="checkbox"/> BLK (WOOL BLACK)	<input type="checkbox"/> 41 (4100K)		
			<input type="checkbox"/> GLD (MARIGOLD)			
			<input type="checkbox"/> GRN (FERN GREEN)			