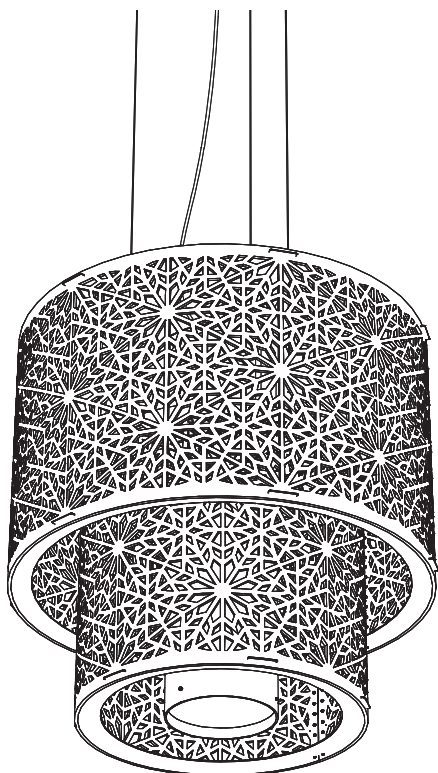


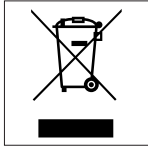
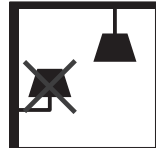
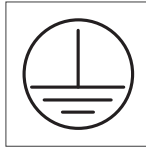
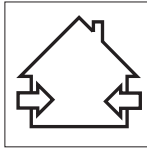
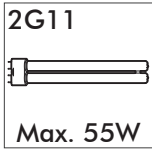
BuzziChandelier

INSTALLATION MANUAL

220-240V



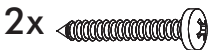
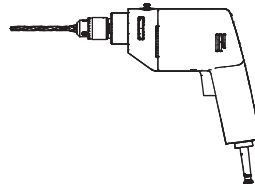
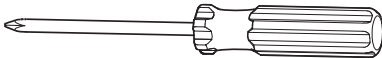
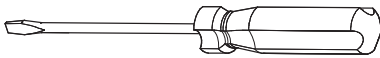
Technical info



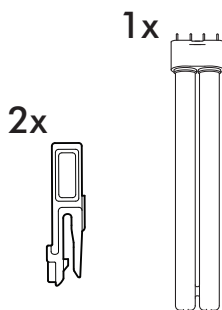
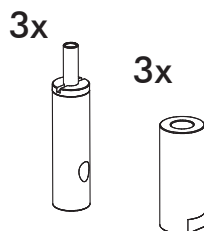
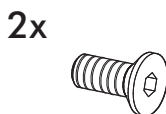
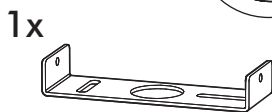
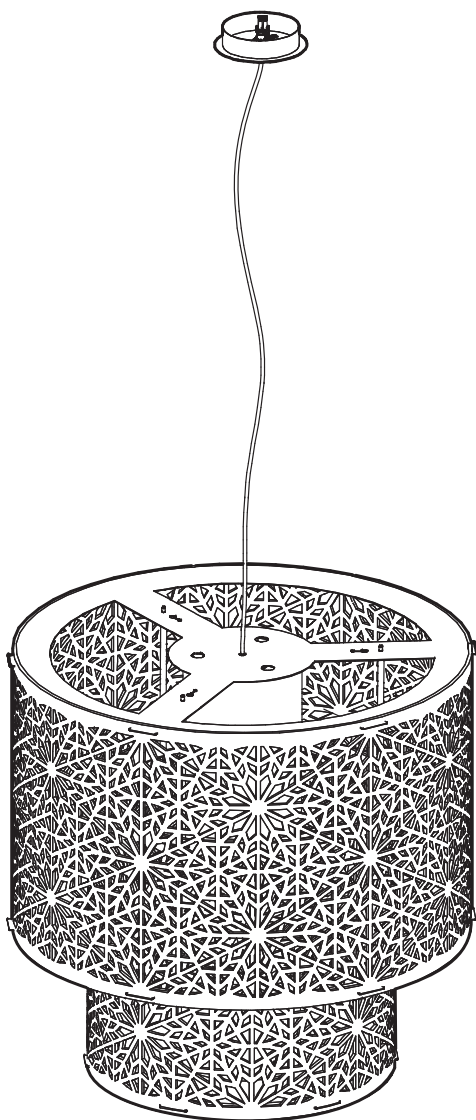
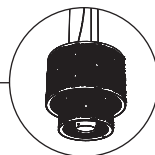
Environmental Protection

Waste electrical products should not be disposed of with household waste. Please recycle where facilities exist. Check with your Local Authority or retailer for recycling advice.

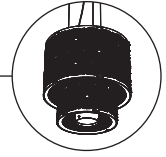
Excl.



Incl. BuzziChandelier



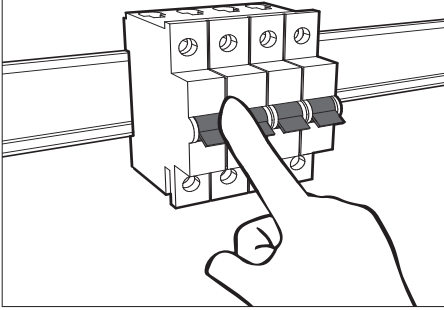
BuzziChandelier



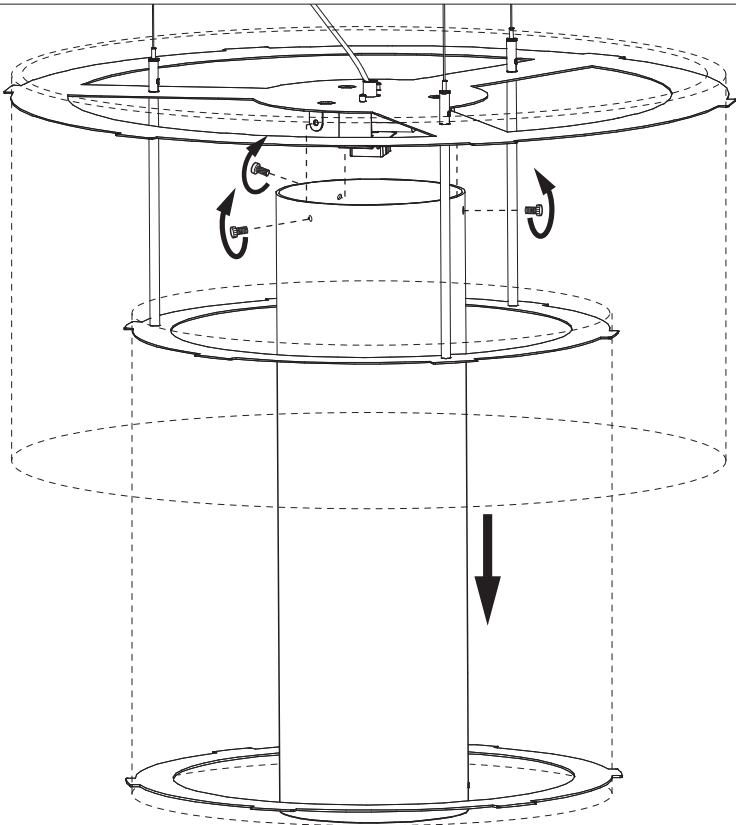
2 PERS. 

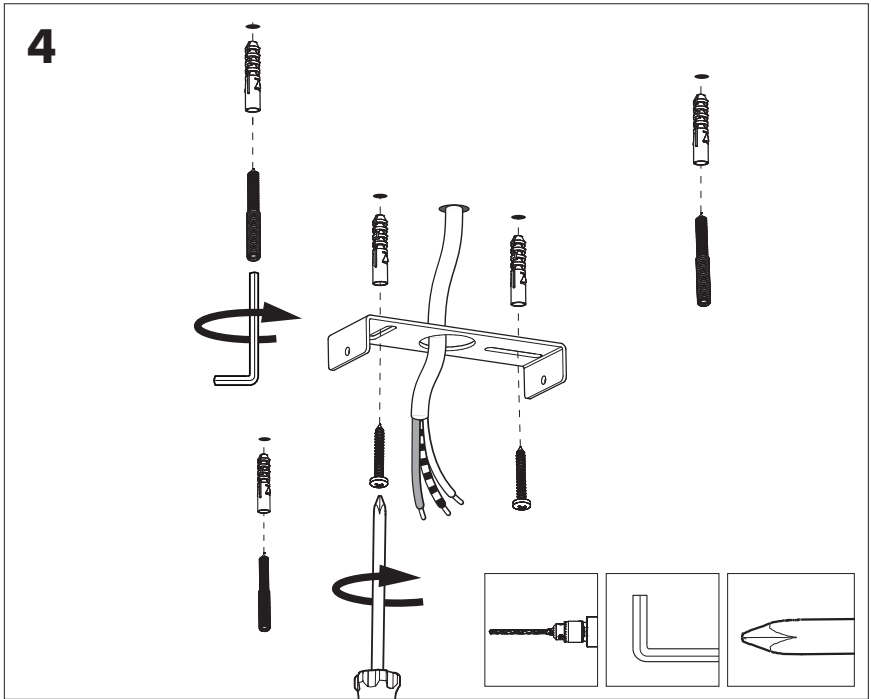
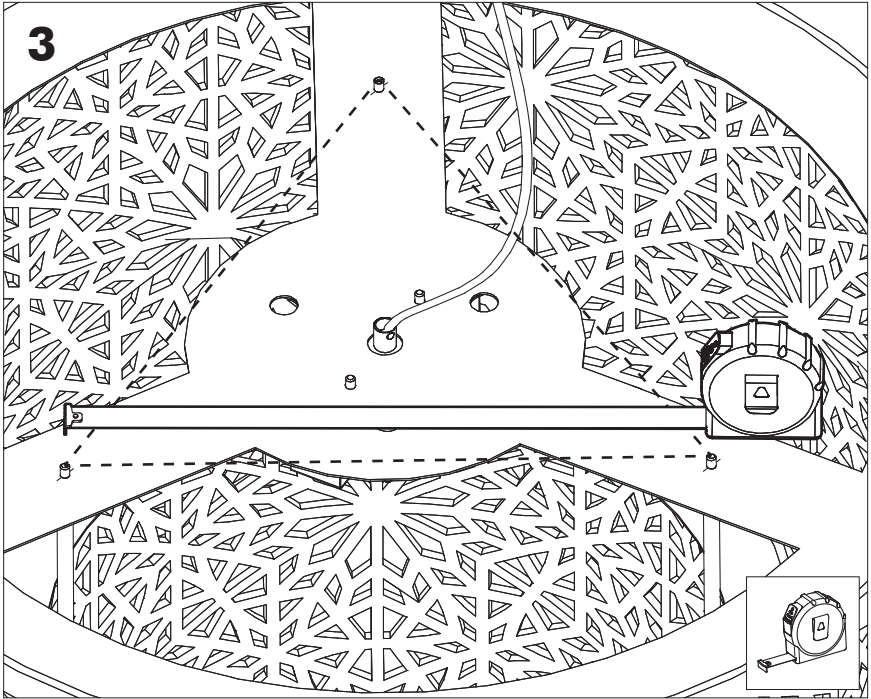
1

OFF

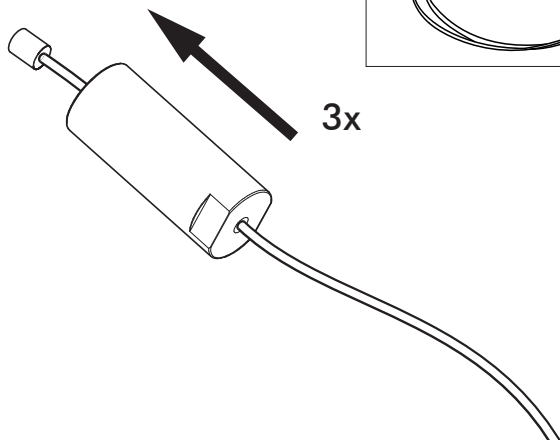


2

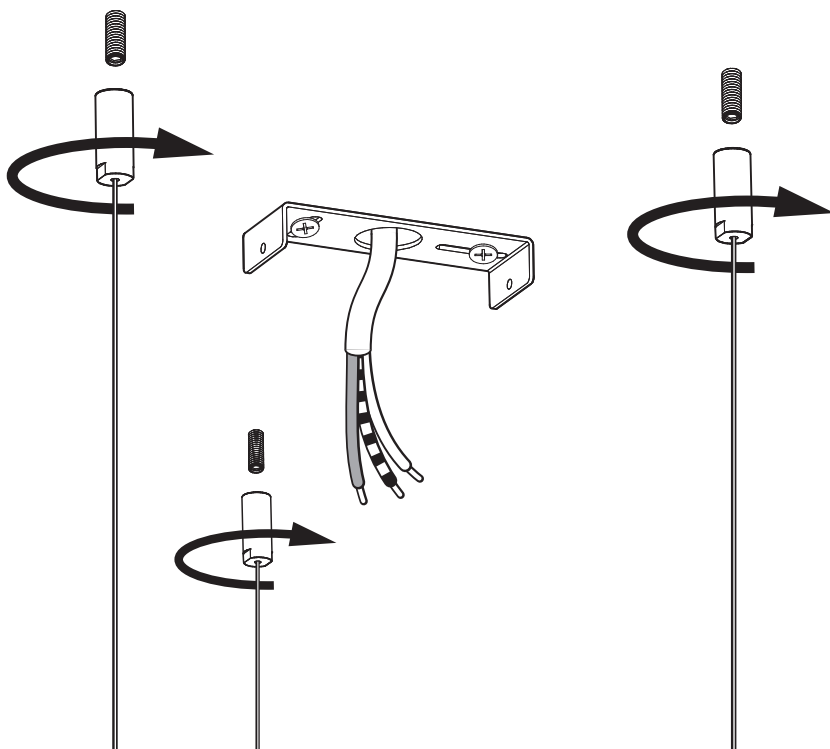




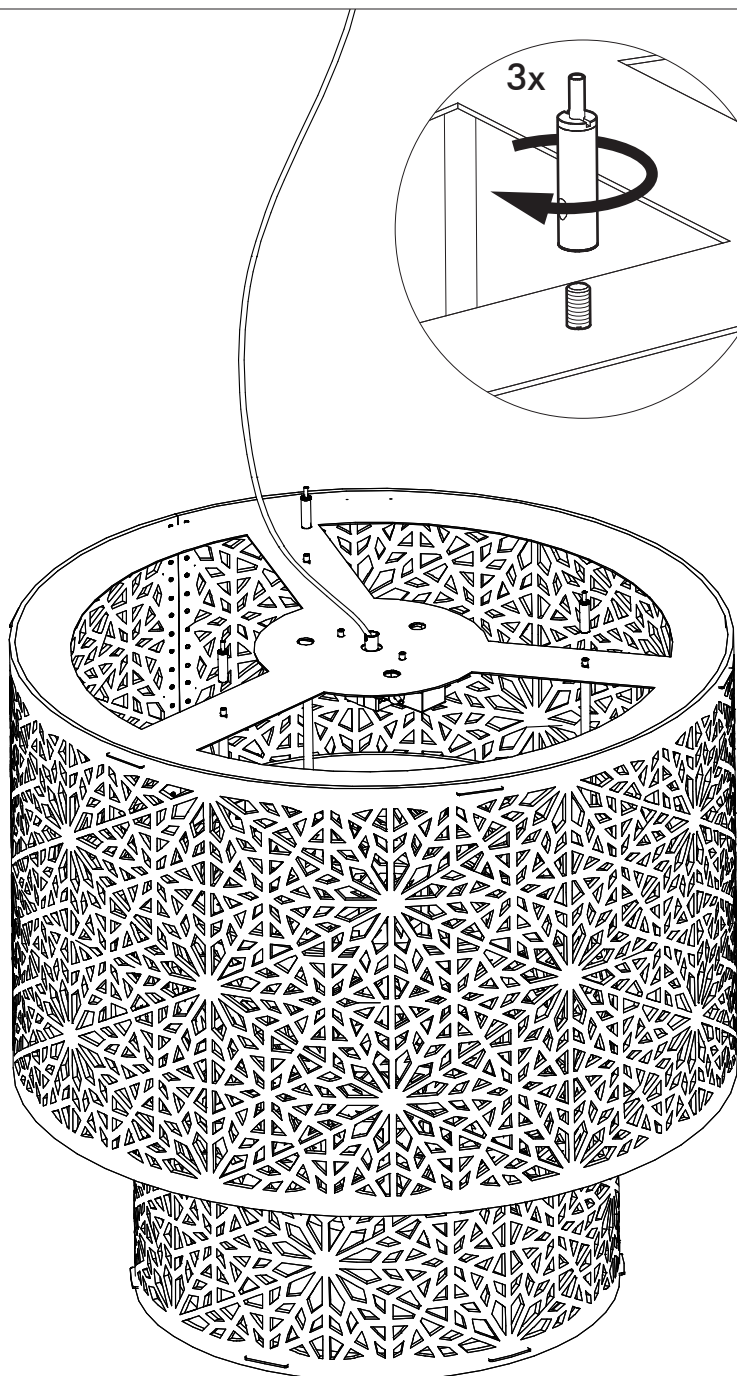
5

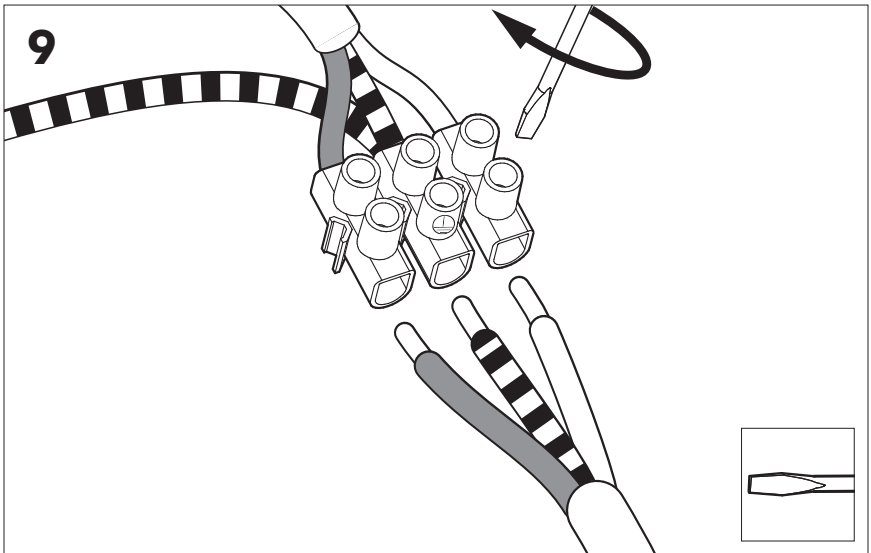
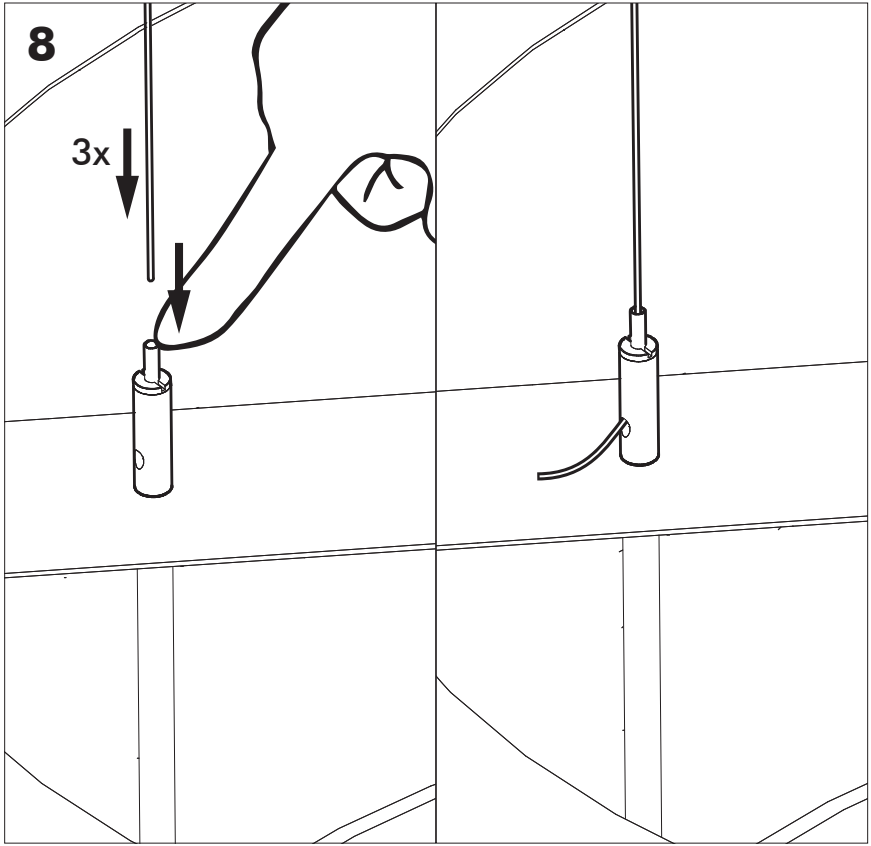


6

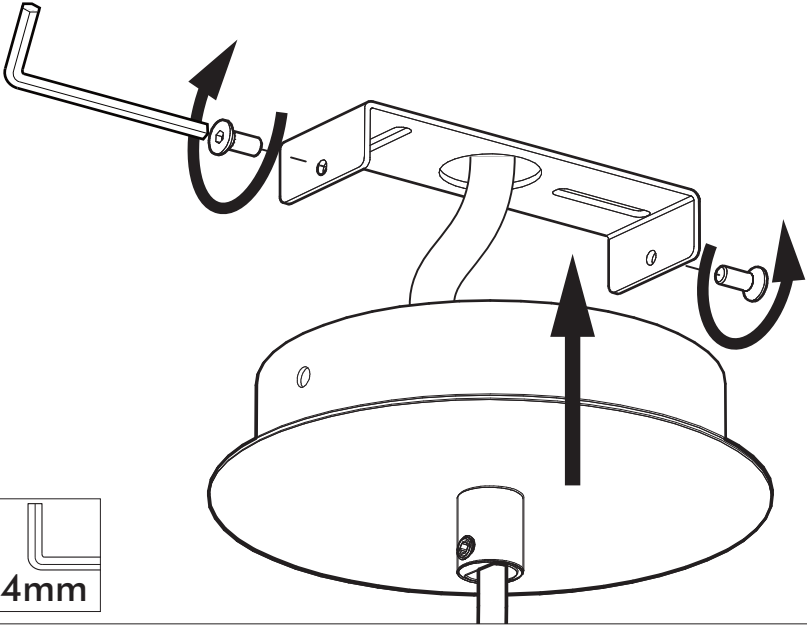


7

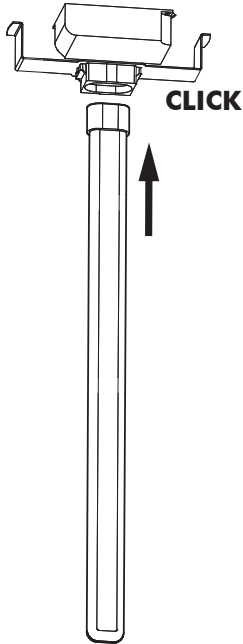




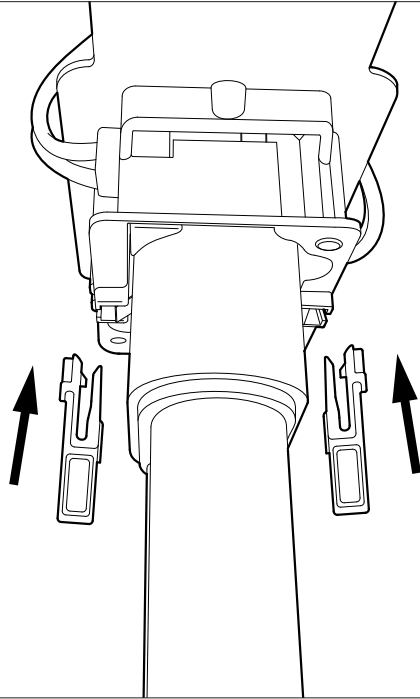
10



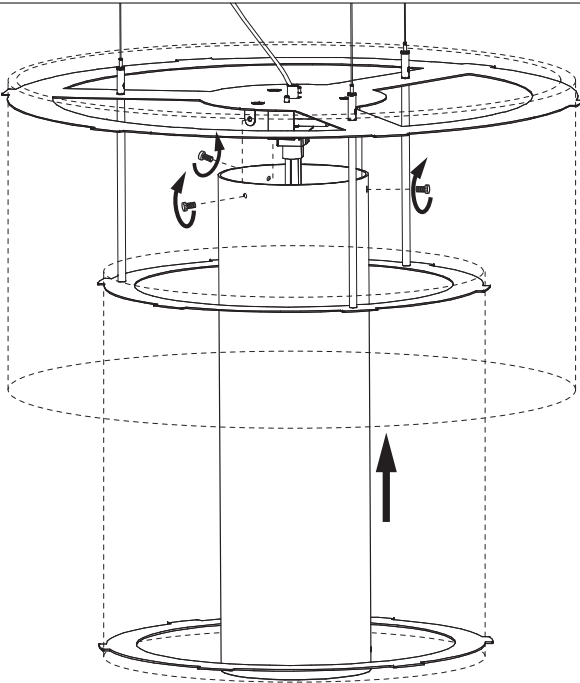
11



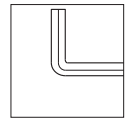
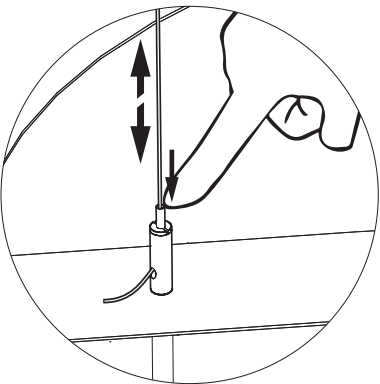
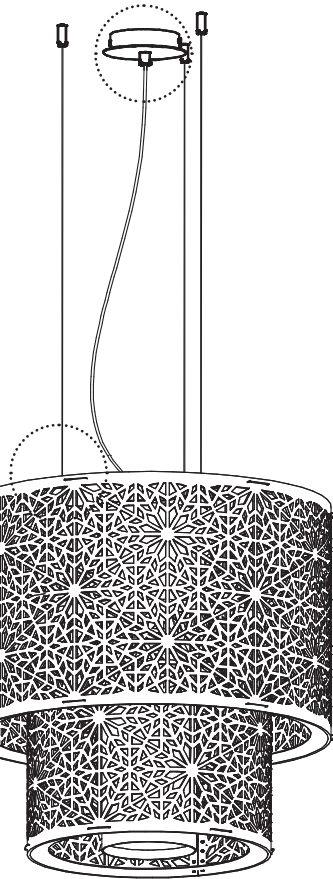
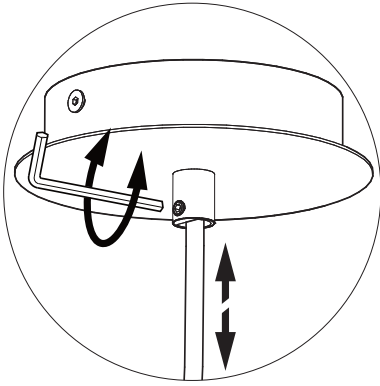
12



13



!



BuzziSpace
Groeningenlei 141
2550 Antwerp, Kontich
Belgium
☎ +32 (0)3 846 10 00
✉ info@buzzi.space
🌐 www.buzzi.space



Doc nr.: A-0000001704/1
Last update: 04/09/2018