
BuzziHat 230V Product Specification Sheet

This document contains technical
information about the BuzziHat










www.buzzi.space

Say goodbye to noisy environments with BuzziHat

A decorative and highly recognizable hat-shaped pendant light with excellent sound absorption capabilities. Its unique design, combining an upholstered part with a metal shade is bound to steal the attention in any space. The upholstered foam body is available in a wide palette of color and fabric combinations, while the metal shade and ring come in 4 finishes (black, white, beige red and gold). Mix colors of your choosing and match the fabric of BuzziHat with the color of your furniture to create an impeccable setting. BuzziHat is available in different sizes to fit different sonic environments which makes it the ultimate acoustic lighting for any office, lobby or restaurant that needs acoustic absorption treatment combined with high-quality lighting.

Design by Alain Gilles

General

-  Ceiling Suspended
S | M | L | XL
-  Upholstered acoustic foam element
Powder coated metal shade and ring
-  LED disk with opaque diffuser
Powder coated metal ceiling canopy in white (RAL 9010)
Transparent power cable
-  Wattage: 19 W
Input Voltage: 230V
Input Frequency: 50/60Hz
Lumen Output: 2000 lumen
Color Temperature: 3000K
Color Rendering Index: < 80
Unified glare rating: 20 (19 on request)
Dimmable: 1-10V Protocol
-  IP20 Dry Usage
-  Assembled
-  If installing on suspended ceiling, verify load capacity prior to installation

Certifications

CE/CB

Acoustics



Absorption



Diffusion



Mid tone



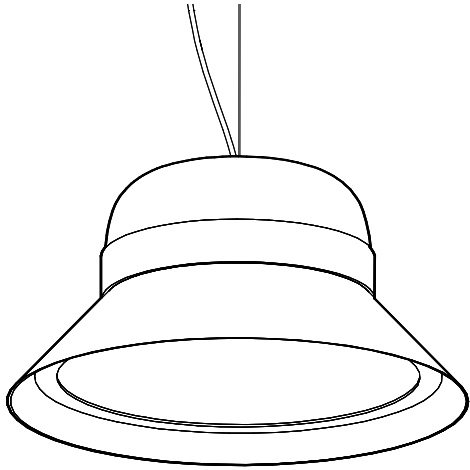
High tone

Content

Configurations	3	Fabrics	7
Composition	5	Dimensions	9

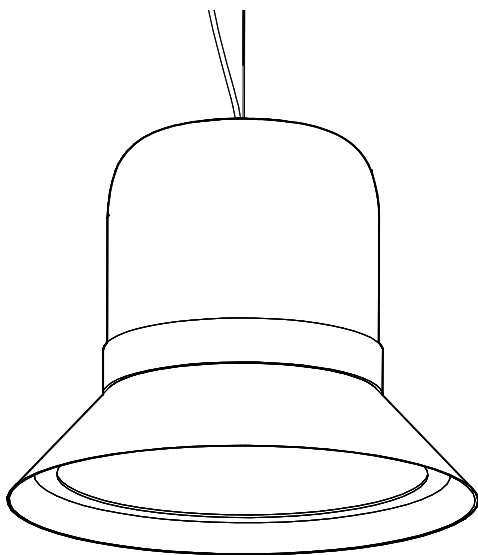
Configurations

BuzziHat Suspended S



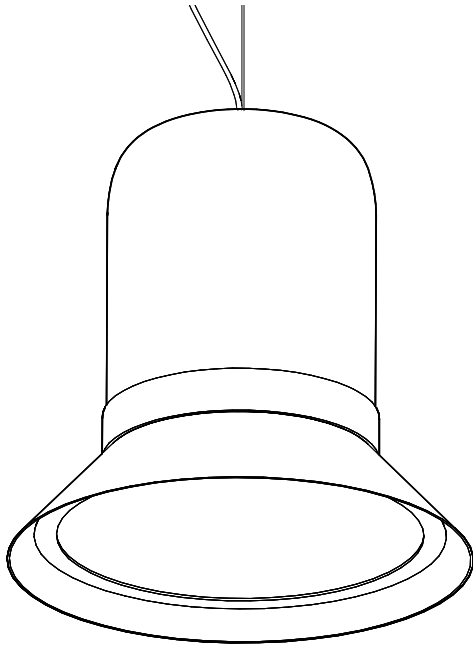
- ◆ Ceiling Suspended
 - Upholstered acoustic foam element
 - Powder coated metal shade and ring
- 🌲 LED disk with opaque diffuser
 - Powder coated metal ceiling canopy in white (RAL 9010)
 - Transparent power cable
- ✂ S: Ø 52 cm H: 28 cm
- ⚖ 6,5 kg
- ...
 - Powder coated metal shade and decorative ring in black (RAL 9005), white (RAL 9010), beige red (RAL 3012) or gold
 - Black or alu cable 2 - 5 m
- ⚠ If installing on suspended ceiling, verify load capacity prior to installation

BuzziHat Suspended M



- ◆ Ceiling Suspended
 - Upholstered acoustic foam element
 - Powder coated metal shade and ring
- 🌲 LED disk with opaque diffuser
 - Powder coated metal ceiling canopy in white (RAL 9010)
 - Transparent power cable
- ✂ M: Ø 52 cm H: 42 cm
- ⚖ 7 kg
- ...
 - Powder coated metal shade and decorative ring in black (RAL 9005), white (RAL 9010), beige red (RAL 3012) or gold
 - Black or alu cable 2 - 5 m
- ⚠ If installing on suspended ceiling, verify load capacity prior to installation

BuzziHat Suspended L



- ◆ Ceiling Suspended
- Upholstered acoustic foam element
- Powder coated metal shade and ring
- 🌲 LED disk with opaque diffuser
- Powder coated metal ceiling canopy in white (RAL 9010)
- Transparent power cable

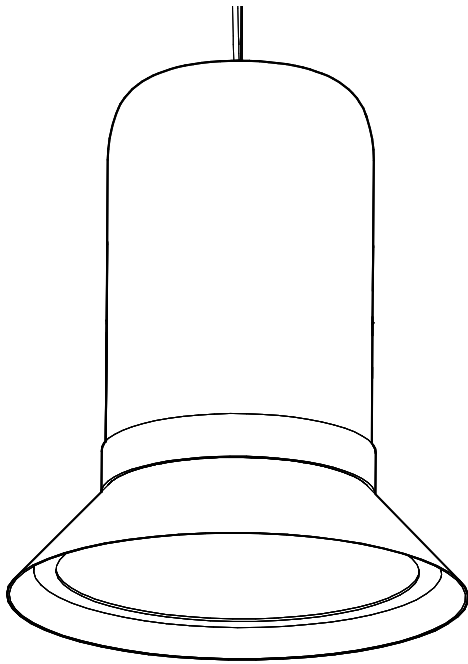
- ✂ L: Ø 52 cm H: 52 cm

- ⚖ 7,5 kg

- ... Powder coated metal shade and decorative ring in black (RAL 9005), white (RAL 9010), beige red (RAL 3012) or gold
- Black or alu cable 2 - 5 m

- ⚠ If installing on suspended ceiling, verify load capacity prior to installation

BuzziHat Suspended XL



- ◆ Ceiling Suspended
- Upholstered acoustic foam element
- Powder coated metal shade and ring
- 🌲 LED disk with opaque diffuser
- Powder coated metal ceiling canopy in white (RAL 9010)
- Transparent power cable

- ✂ XL: Ø 52 cm H: 62 cm

- ⚖ 8 kg

- ... Powder coated metal shade and decorative ring in Black (RAL 9005), White (RAL 9010), Beige Red (RAL 3012) or gold
- Black or alu cables 2 - 5 m

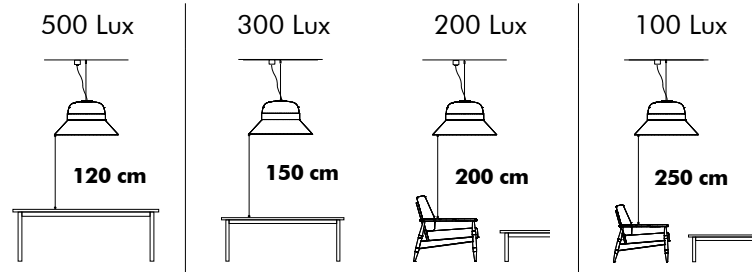
- ⚠ If installing on suspended ceiling, verify load capacity prior to installation

Composition

LED Disk

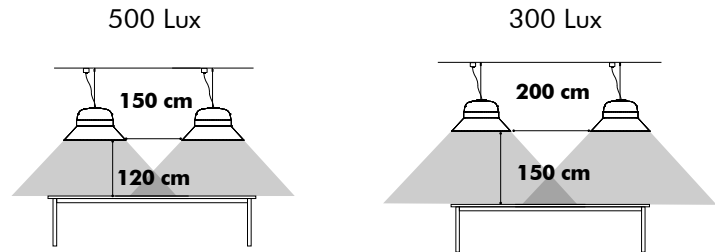


The PMMA diffuser ensures an optimal light spread and efficiency. It creates a very diffuse light surface without any dottiness. To enlight your workplace or room with optimal lux levels take following measures into account.



Office, meeting room Reception desk, lounge, classroom Entrance Hall

To ensure a continuous light spread into account take following distances inbetween the BuzziHats



According to EN12464

Specification overview

Standard: 3000K | UGR 20 | 1-10V DIM
On request: 3000K | UGR 19* | 1-10V DIM

* To achieve a UGR 19, the product is fitted with a Prismatic diffuser instead of a milky diffuser. LED dots will be visible.

Mix and Match



Customize your BuzziHat by mixing and matching the color of the ring, the shade and the upholstery fabric.

Ceiling canopy and power cord

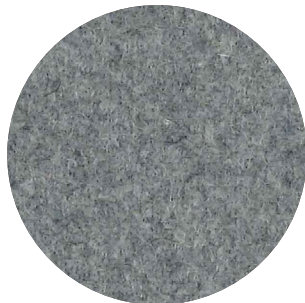


Suspension set consists of a:

- metal ceiling canopy powder coated in white (RAL 9010)
- transparent power cable (length 5m)
- separate metal cables to suspend the BuzziHat (in alu or black 2 or 5m)

Fabrics

Fabric



Category A

Composition 70% Recycled Wool, 25% Recycled Polyacryl,
5% Recycled Other Fabrics

Weight 405 g/m² | 11.94 oz/yd²

Abrasion resistance 40.000 Martindale, 50,000 Wyzenbeek

Flammability EU: EN 1021.1/2006 | BS EN 1021.1/2006 (cigarette).
EN 1021.2/2006 | BS EN 1021.2/2006 (match)
USA: CAL TB 117 | ASTM E84 CLASS A

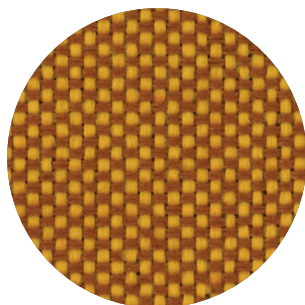
Fastness to light EU: 4 | USA 4

Fastness to rubbing EU: Wet 3-4 | Dry 4-5

Fastness to crocking USA: Wet 5 | Dry 5



Trevira CS+ | CS



Category A

Weight 420 g/m² | 12.39 oz/yd²

Composition 100% Polyester, Trevira CS

Abrasion resistance 100.000 Martindale, 90,000 Wyzenbeek

Flammability BS 5852 part II: CRIB 5 | BS 7176 Medium Hazard
USA: CAL TB 117 | M1 | B1 | EN 1021/1-2 | C1 |
IMO Res. A652 (16)

Fastness to light EU: 6 | USA 5

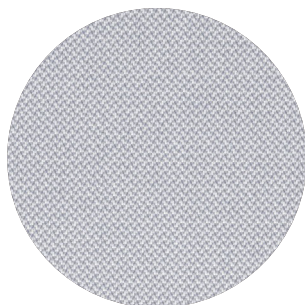
Fastness to rubbing EU: Wet 4-5 | Dry 4-5

Fastness to crocking USA: Wet 5 | Dry 5



Revive 1

kvadrat



Category A

Composition 100% recycled polyester FR

Weight 430 g/lin.m

Abrasion resistance 60.000 Martindale rubs, EN ISO 12947

Flammability EN 1021-1/2 | DIN 4102 B1 | Önorm B1/Q1
UNI 9175 1IM | US Cal. Tech. Bull. 117
IMO A.652 (16)

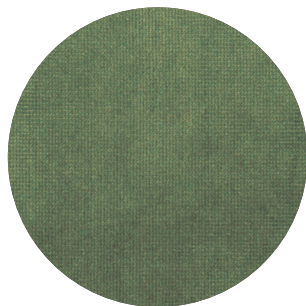
Fastness to light Note 5-7, ISO 105-B02

Fastness to rubbing (ISO) dry 5, wet 4-5

Pilling Note 4-5, EN ISO 12945



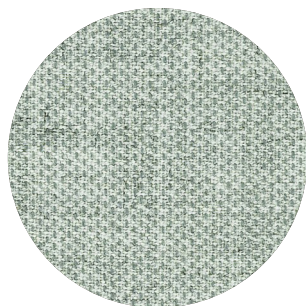
Velvet



Category B
Composition 100% PES
Weight 375 g/m² | 11.06 oz/yd²
Abrasion resistance > 100.000 Martindale
Fastness to light EU: 4-5
Fastness to rubbing EU: Wet 4 | Dry 4-5
Pilling EU: 4-5

Clara 2

kvadrat



Category B
Composition 92% new wool, 8% nylon
Weight 400 g/lin.m
Abrasion resistance 80.000 Martindale rubs, EN ISO 12947
Flammability EN 1021-1/2 | BS 5852, ignition source 2-3 | DIN 4102 B2
NF D 60 013 | UNI 9175 1IM | US Cal. Tech. Bull. 117, Sec. E
NFPA 260 | IMO A.652(16)
Fastness to light Note 5-7, ISO 105-B02
Fastness to rubbing (ISO) dry 4-5, wet 4
Pilling Note 4, EN ISO 12945



Remix 2

kvadrat

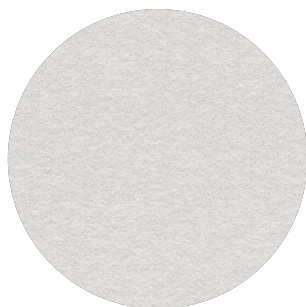


Category B
Composition 90% new wool, 10% nylon
Weight 415 g/lin.m
Abrasion resistance 100.000 Martindale rubs, EN ISO 12947
Flammability EN 1021-1/2 | BS 5852 part 1
Önorm B1/Q1 | NF D 60 013 | UNI 9175, 1IM
AS/NZS 1530.3 | Cal. Tech. Bull. 117-2013
NFPA 260 | IMO FTP Code 2010:Part 8
Fastness to light Note 5-7, ISO 105-B02
Fastness to rubbing (ISO) dry 4-5, wet 4
Pilling Note 4, EN ISO 12945



Hero

kvadrat

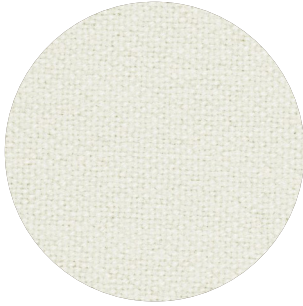


Category C
Composition 96% new wool, 4% nylon
Weight 580 g/lin.m
Abrasion resistance 45.000 Martindale rubs, EN ISO 12947
Flammability EN 1021-1/2 | DIN 4102 B2 | NF D 60 013
UNI 9175 1IM | US Cal. Bull. 117-2013 | NFPA 260
IMO A.652 (16)
Fastness to light Note 5-6, ISO 105-B02
Fastness to rubbing (ISO) dry 4-5, wet 4-5
Pilling Note 3-4, EN ISO 12945



Tonus 4

kvadrat



Category D

Composition 90% new wool, 10% Helanca

Weight 665 g/lin.m

Abrasion resistance 100.000 Martindale rubs, EN ISO 12947

Flammability EN 1021-1/2 | BS 5852 part 1 | DIN 4102 B2

Önorm B1/Q1 | NF D 60 013 | UNI 9175 11M

US Cal. Bull. 117-2013 | NFPA 260 | IMO A.652 (16)

Fastness to light Note 5-7, ISO 105-B02

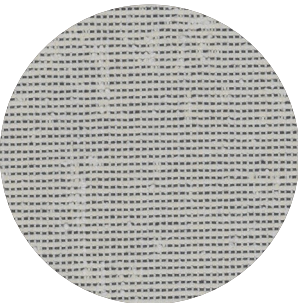
Fastness to rubbing (ISO) dry 3-5, wet 3-5

Pilling Note 3, EN ISO 12945



Memory 2

kvadrat



Category E

Composition 100% Trevira CS

Weight 700 g/lin.m

Abrasion resistance

35.000 rubs acc. to the Martindale method, EN ISO 12947

Flammability EN 1021-1/2 | DIN 4102 B1 | Önorm B1/Q1

NF D 60 013 | NF P 92 507 M1 | UNI 9175 11M

UNI 9177 classe 1 | US Cal. Tech. Bull. 117

IMO A.652 (16)

Fastness to light Note 5-8, ISO 105-B02

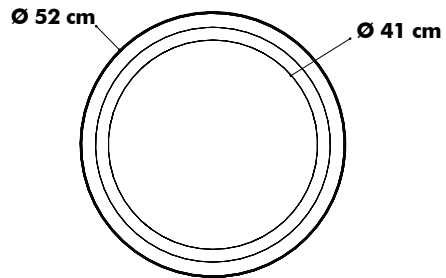
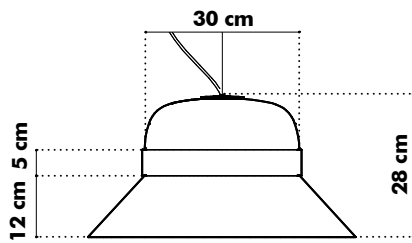
Fastness to rubbing (ISO) dry 4-5, wet 4-5

Pilling Note 4, EN ISO 12945

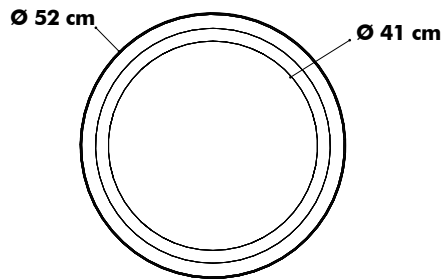
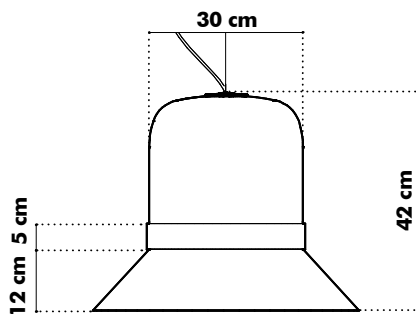


Dimensions

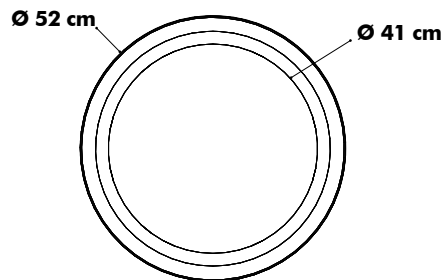
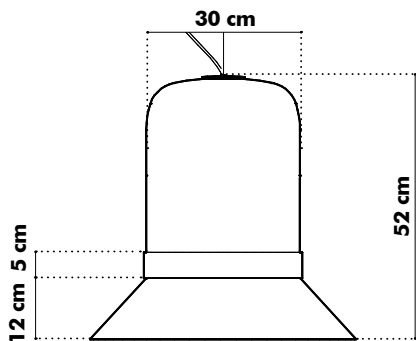
BuzziHat S



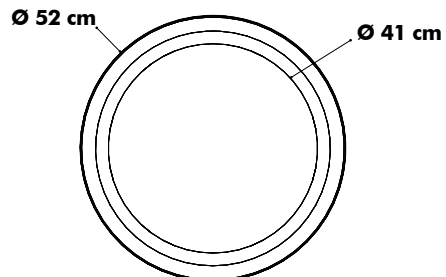
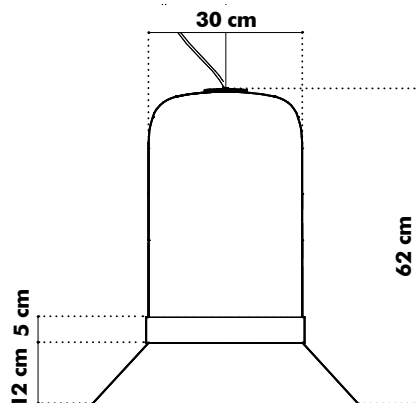
BuzziHat M



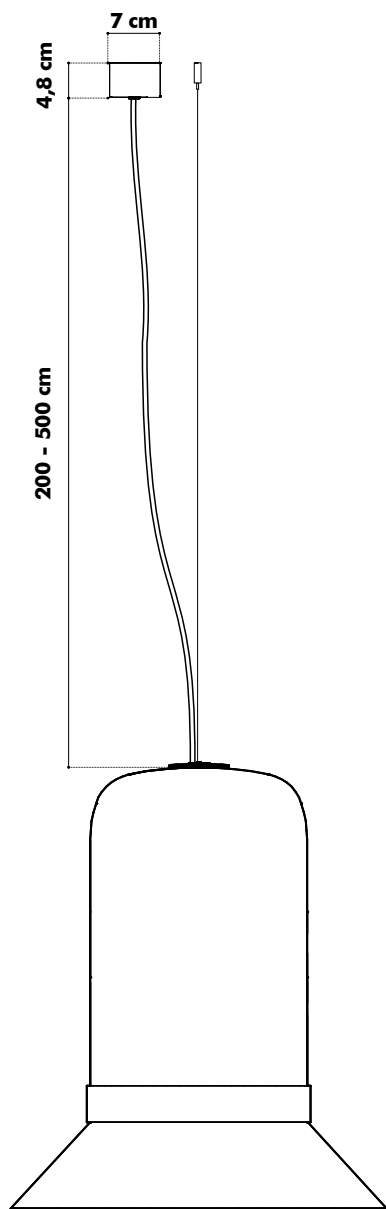
BuzziHat L



BuzziHat XL



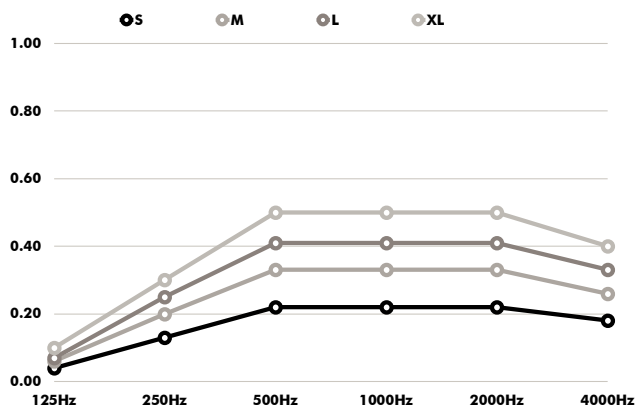
Suspension Set



Acoustics

BuzziHat

Equivalent sound absorption area in m² per object



Hz	S Aeq/m ²	M Aeq/m ²	L Aeq/m ²	XL Aeq/m ²
125	0.04	0.06	0.07	0.10
250	0.13	0.20	0.25	0.30
500	0.22	0.33	0.41	0.50
1000	0.22	0.33	0.41	0.50
2000	0.22	0.33	0.41	0.50
4000	0.18	0.26	0.33	0.40