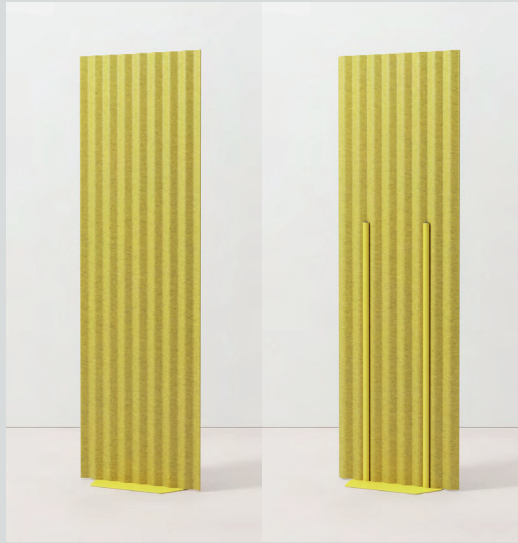


AKOESTIEKLABEL

Mute Flow

PET Felt Room Divider



- made from recycled PET bottles
- sound-dampening effect
- easy to move around
- suitable for contract use

Colours

Panel



Stand

<i>Standard</i>	RAL 9011 (Black) / RAL 9010 (White) with 70% gloss degree
<i>Custom</i>	Any RAL colour with 70% gloss degree
<i>Fine texture*</i>	RAL 1012 (Yellow) / RAL 3005 (Pink) / RAL 5008 (Marine) / RAL 5020 (Turquoise) / RAL 6007 (Dark Green) / RAL 6020 (Green) / RAL 7015 (Dark Grey) / RAL 7033 (Olive) / RAL 7044 (Beige) / RAL 7045 (Light Grey) / RAL 8014 (Brown) / RAL 9011 (Graphite Black)

*Fine texture finishes are ton sur ton with PET Felt colours.

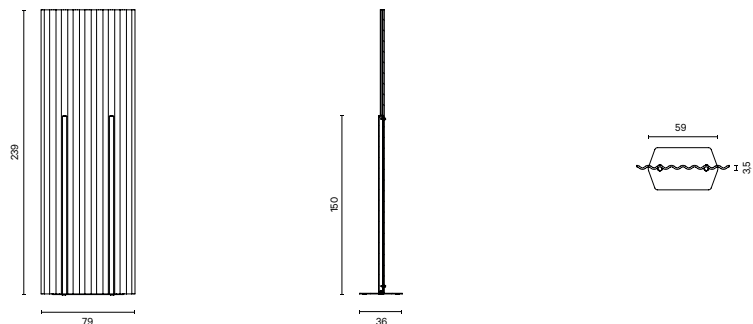
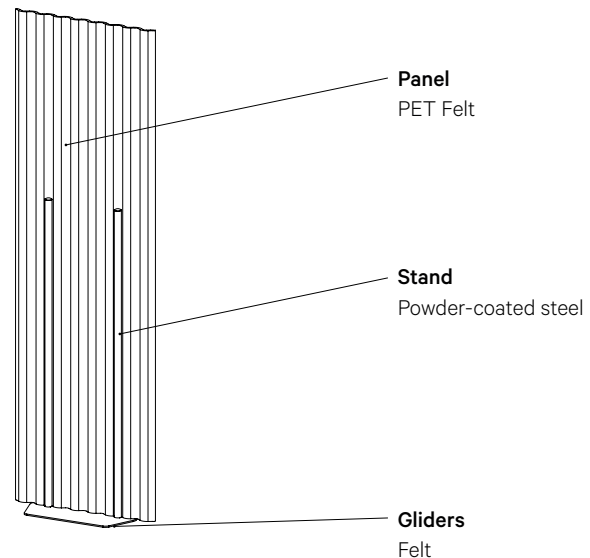
Mute Flow Room Divider offers functional partitioning for open spaces. The acoustic panel comes on a freestanding steel base that can be easily moved around. Made from PET felt, the panel has a pleasant soft texture and provides a gentle sound-dampening effect. Mute Flow Room Divider will bring structure to open-plan office interiors, public spaces and restaurants and hotels. Available in eleven unique PET Felt blends and many custom colours for the base.

Designed by **De Vorm**

Product overview

Weight

20 kg



Care & Maintenance

For regular care, we recommend dusting or vacuuming PET Felt occasionally. Most stains can be easily cleaned with water. It is advised to dab the contaminated surface with a dry cloth while it is wet. Do not rub PET Felt to avoid excessive pilling and let the material dry naturally. If water is not sufficient, stubborn stains can be removed with professional cleaning products like the James cleaning set.

Downloads

3D files, technical drawings and Hi-Res images are available in the [Download Library](#) at [devorm.nl](#)

Additional information

You can find further maintenance recommendations, warranty terms and corporate information in the [Information bank](#) at [devorm.nl](#)