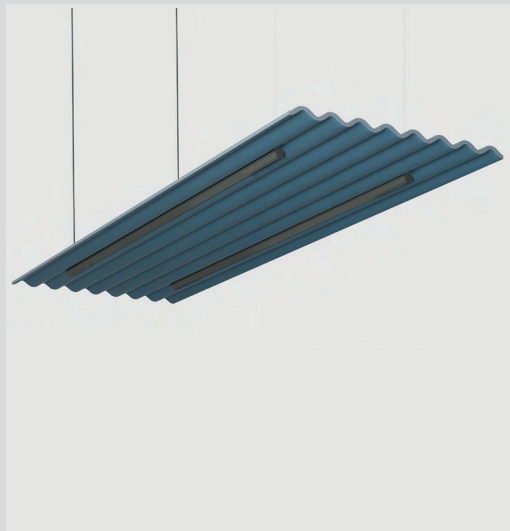


AKOESTIEKLABEL

Mute Flow Floating PET Felt Acoustic Panel



- made from recycled PET bottles
- sound-dampening effect
- cable length can be customised
- suitable for contract use

Colours

Panel



Tubes

<i>Standard</i>	RAL 9011 (Black) / RAL 9010 (White) with 70% gloss degree
<i>Custom</i>	Any RAL colour with 70% gloss degree
<i>Fine texture*</i>	RAL 1012 (Yellow) / RAL 3005 (Pink) RAL 5008 (Marine) / RAL 5020 (Turquoise) / RAL 6007 (Dark Green) RAL 6020 (Green) / RAL 7015 (Dark Grey) / RAL 7033 (Olive) RAL 7044 (Beige) / RAL 7045 (Light Grey) / RAL 8014 (Brown) RAL 9011 (Graphite Black)

*Fine texture finishes are ton sur ton with PET Felt colours.

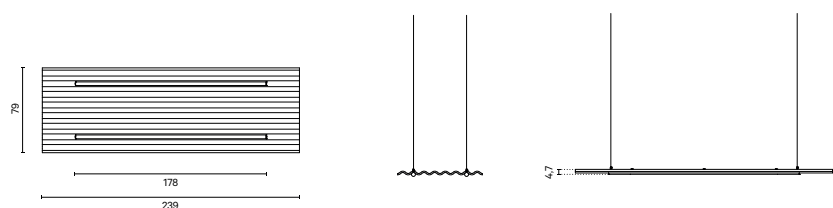
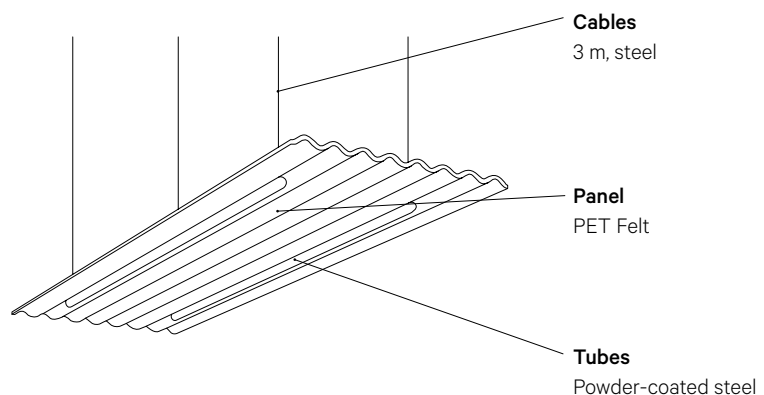
Mute Flow Floating is designed to dampen noises in open spaces. Made from PET Felt, this acoustic panel is ceiling-suspended, minimising the floor-to-ceiling slap echo. The panel can be used alone or combined into custom installations thanks to its flexible positioning. Choose from 11 PET Felt blends and many tube colours to meet the needs of any interior.

Designed by **De Vorm**

Product overview

Weight

11.4 kg



Care & Maintenance

For regular care, we recommend dusting or vacuuming PET Felt occasionally. Most stains can be easily cleaned with water. It is advised to dab the contaminated surface with a dry cloth while it is wet. Do not rub PET Felt to avoid excessive pilling and let the material dry naturally. If water is not sufficient, stubborn stains can be removed with professional cleaning products like the James cleaning set.

Downloads

3D files, technical drawings and Hi-Res images are available in the [Download Library](#) at [devorm.nl](#)

Additional information

You can find further maintenance recommendations, warranty terms and corporate information in the [Information bank](#) at [devorm.nl](#)