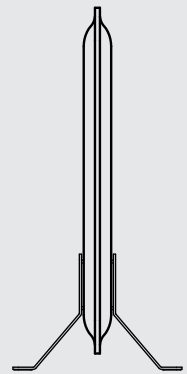
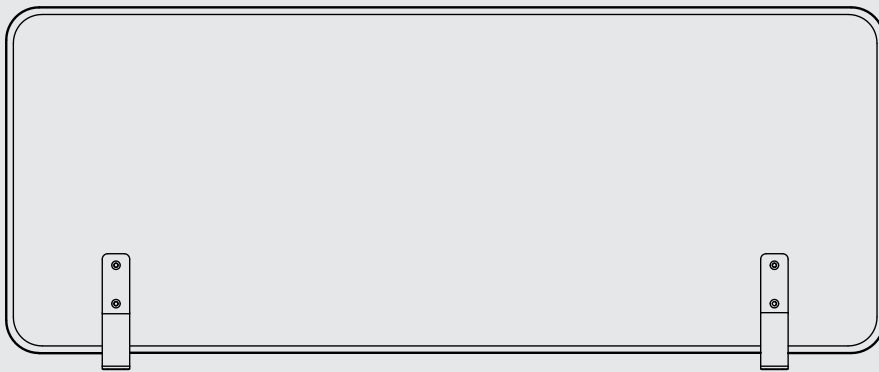


AK 3+4

Workplace Divider Standing Installation Guide



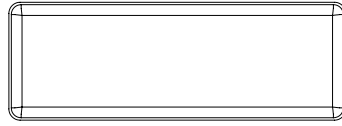
DeVorm

Tools



Allen key
BZK3
2x

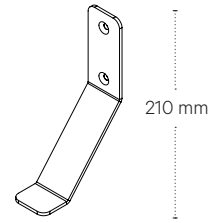
Parts required



AK 3/4
Panel

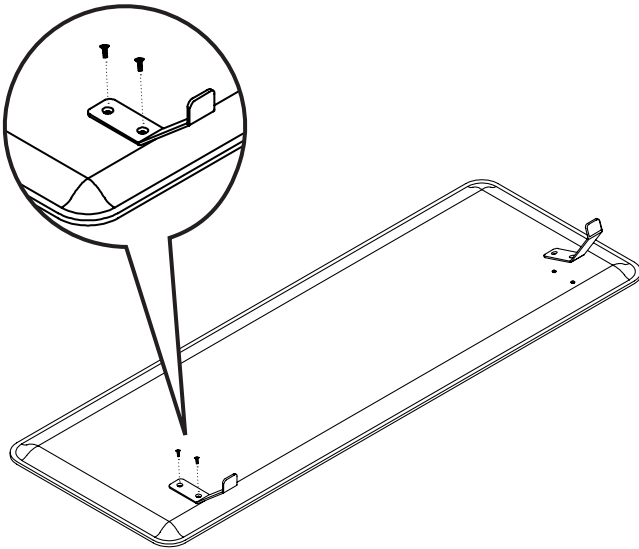


Screws
M6x16 mm
8x

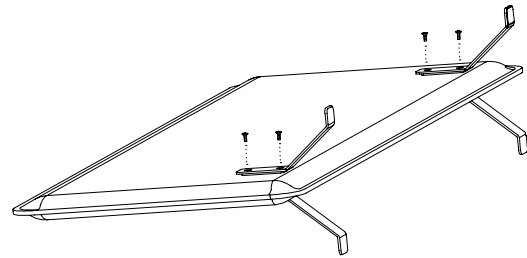


Legs + cork gliders
4x

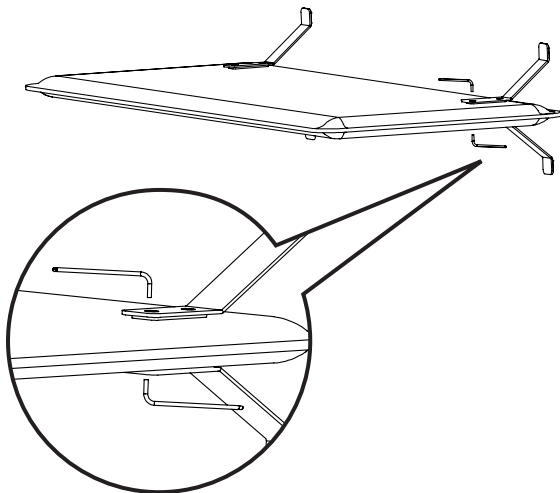
1 Assemble the legs onto the spacers in the panel.



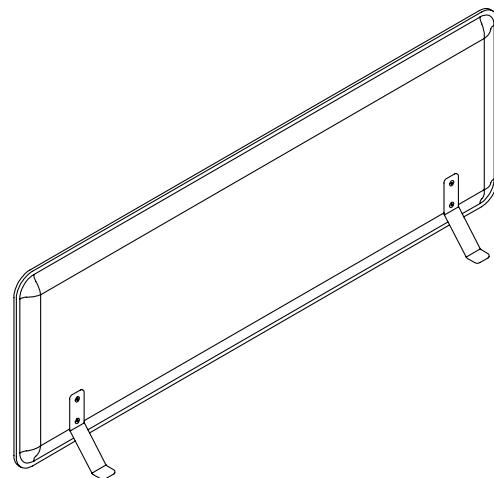
2 Repeat on the other side.



3 Tighten the screws on both sides. Use two identical allen keys.



4 The assembly of the AK 3/4 Workplace Divider Stand is now completed.



We create interior products by today's standards.

De Vorm is established in a new era, we develop products by the standards of today. This means we produce efficiently, use the full lifecycle of products and eventually give them a new life.

Our emphasis lies on making a product that works, by setting a variety of conditions; it should be legible, accessible, but also environmental friendly and aesthetically perfectly in balance.

We like a product because of its functionality.

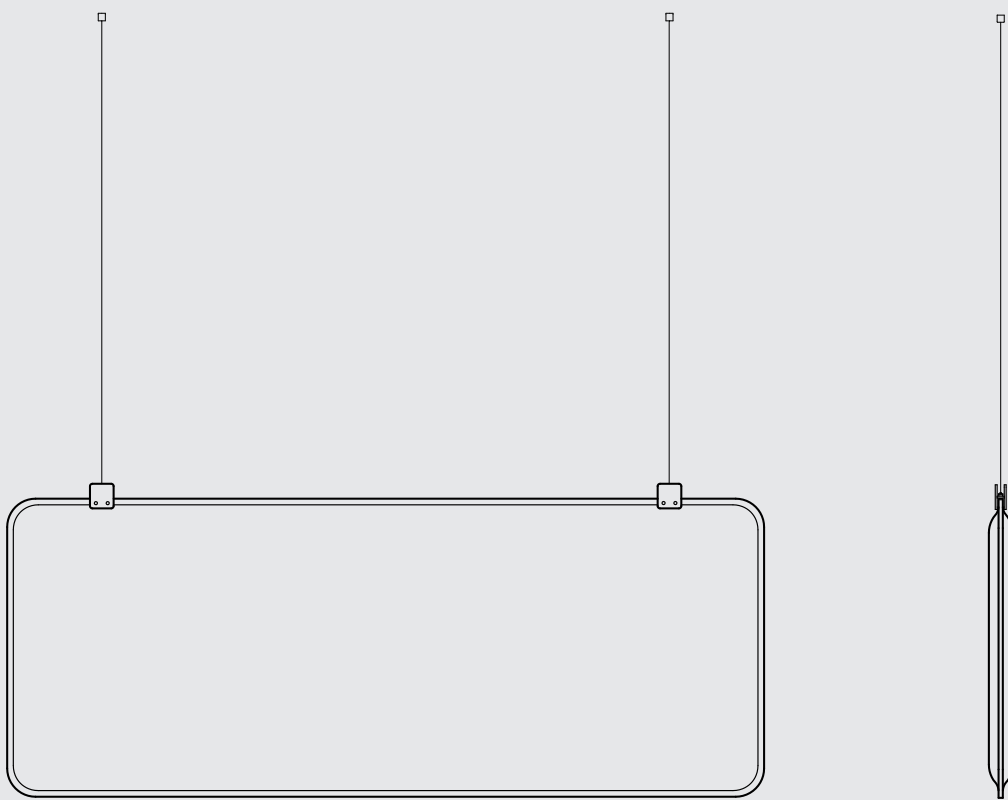
A good product makes life easier — by helping us function better throughout the day. We firmly believe that the beauty of a design lies in the sum of its functions. That is what makes it a complete product.

We continuously raise the bar.

From the very first sketches we already start searching, combining and developing new techniques to find new possibilities to innovate. Our design process is infused with technical development; techniques result in aesthetic features and the other way round.

AK 3+4

Workplace Divider Hanging Installation Guide

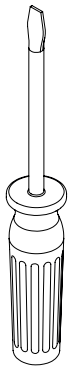


DeVorm

Tools

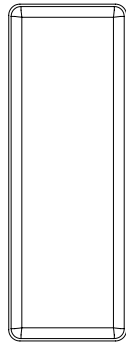


Allen key
BZK3

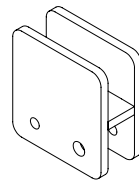


Flathead
screwdriver

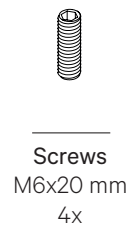
Parts required



AK 3/4
Panel



Hanging Fixture
2x



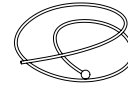
Screws
M6x20 mm
4x



Adjuster
2x



Ceiling cap
and disk
2x



Steel cable
2x

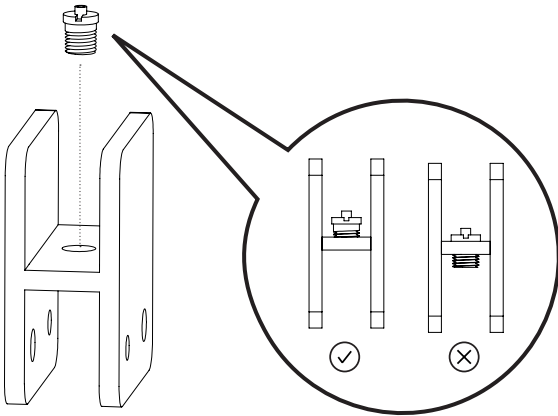


Screws
PZ 4x40 mm
2x

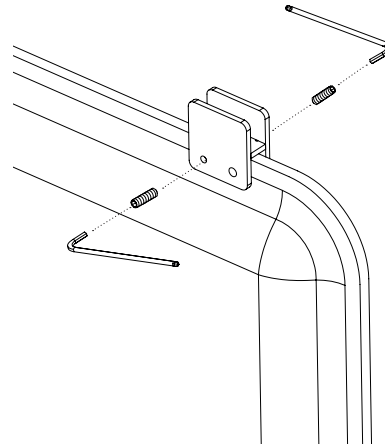


Wall plug
Ø6x30 mm
2x

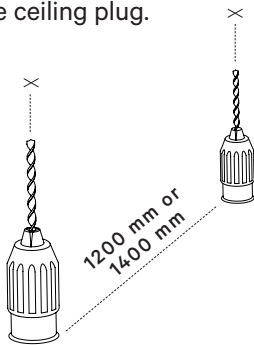
1 Use the screwdriver to tighten the adjuster halfway into the plates.



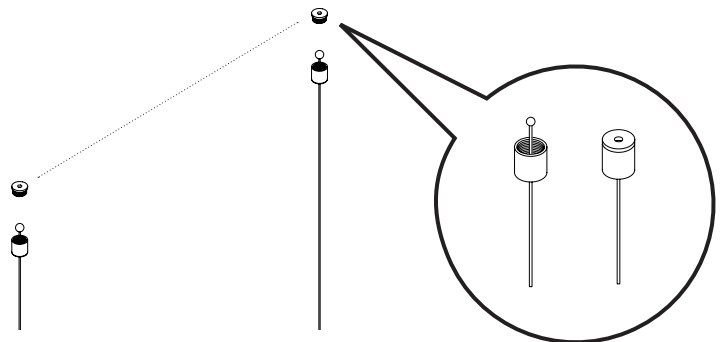
2 Now tighten the screws on the panel on both sides.



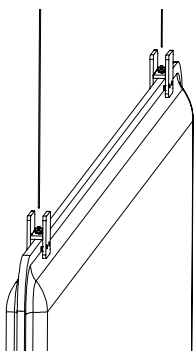
3 AK 3: Drill holes with 1200 mm between them. 4 AK 4: Drill holes with 1400 mm between them. Insert wall plugs and screw the ceiling mount disk into the ceiling plug.



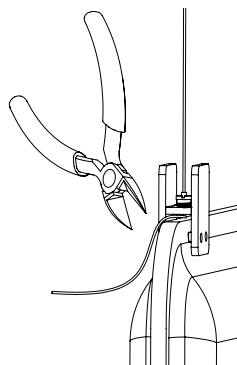
Insert the steel cable into the ceiling cap. Then mount the ceiling cap on the ceiling mount disk.



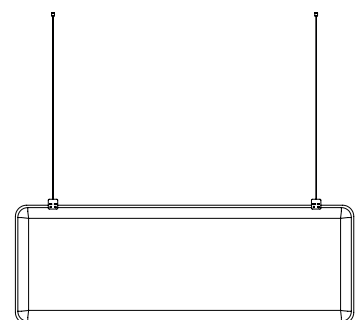
5 Push the 2 steel cables into the cable adjusters.



6 Cut off the excess cable.



7 The assembly of the AK 3/4 Horizontal Hanging Fixture is now completed.



We create interior products by today's standards.

De Vorm is established in a new era, we develop products by the standards of today. This means we produce efficiently, use the full lifecycle of products and eventually give them a new life.

Our emphasis lies on making a product that works, by setting a variety of conditions; it should be legible, accessible, but also environmental friendly and aesthetically perfectly in balance.

We like a product because of its functionality.

A good product makes life easier — by helping us function better throughout the day. We firmly believe that the beauty of a design lies in the sum of its functions. That is what makes it a complete product.

We continuously raise the bar.

From the very first sketches we already start searching, combining and developing new techniques to find new possibilities to innovate. Our design process is infused with technical development; techniques result in aesthetic features and the other way round.